

CURRENT 6.0 Ampere
 VOLTAGE RANG 50 to 1000 Volts

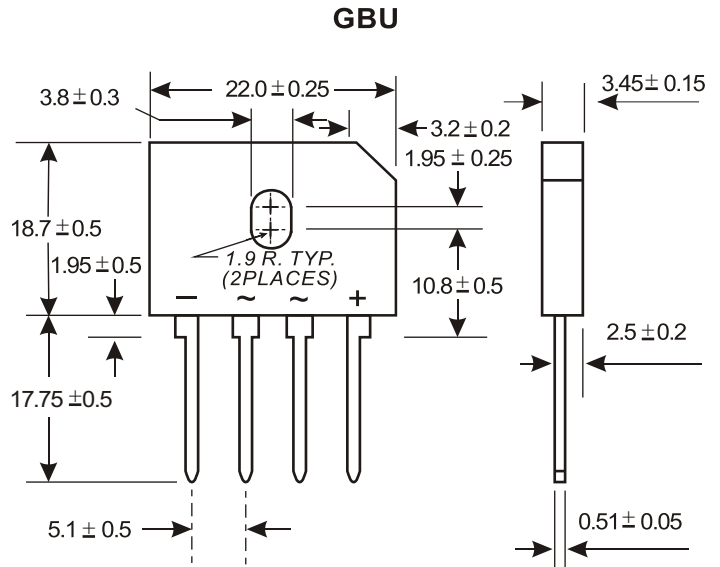
GBU6005 THRU GBU610

Features

- This series is SGS listed under the Recognized Component Index, file number SZXEC1902259902
- Ideal for P.C. Board mounting
- High surge current capability
- The plastic material used carries Underwriters Laboratory flammability recognition 94V-0
- High temperature soldering guaranteed 265°C /10 seconds at 5 lbs (2.3kg) tension

Mechanical Data

Case: Molded plastic body
 Terminals: Plated leads solderable per MIL-STD-202, Method 208
 Polarity: Polarity symbols molded on body
 Mounting Position: Any
 Mounting Torque: 5 in-lbs max.
 Weight: 3.8 grams (approx)



Dimensions in millimeters(1mm =0.0394")

Maximum Ratings & Thermal Characteristics

Rating at 25°C ambient temperature unless otherwise specified, Resistive or Inductive load, 60 Hz.
 For Capacitive load derate current by 20%.

| Parameter | Symbol | GBU 6005 | GBU 601 | GBU 602 | GBU 604 | GBU 606 | GBU 608 | GBU 610 | unit | |
|---|------------------|----------|---------|---------|---------|--------------|---------|---------|------|--------------------|
| Maximum repetitive peak reverse voltage | VRRM | 50 | 100 | 200 | 400 | 600 | 800 | 1000 | V | |
| Maximum RMS bridge input voltage | VRMS | 35 | 70 | 140 | 280 | 420 | 560 | 700 | v | |
| Maximum DC blocking voltage | VDC | 50 | 100 | 200 | 400 | 600 | 800 | 1000 | v | |
| Maximum average forward (with heatsink (1)) rectified current at TA=100°C (without heatsink) | IF(AV) | 6.0 | | | | 2.8 | | | | A |
| Peak forward surge current single sine-wave superimposed on rated load (JEDEC Method) | IFSM | | | | | 175 | | | | A |
| Rating for fusing (t<8.3ms) | I ² t | | | | | 127 | | | | A ² sec |
| Typical thermal resistance per element (2) | RthJA | | | | | 2.2 | | | | °C / W |
| Operating junctio | TJ, TSTG | | | | | -55 to + 150 | | | | °C |

trical Characteristics

Rating at 25°C ambient temperature unless otherwise specified. Resistive or Inductive load, 60Hz.
 For Capacitive load derate by 20 %.

| Parameter | Symbol | GBU 6005 | GBU 601 | GBU 602 | GBU 604 | GBU 606 | GBU 608 | GBU 610 | Unit | |
|---|--------|----------|---------|---------|---------|------------|---------|---------|------|----|
| Maximum instantaneous forward voltage drop per leg at 3.0A | VF | | | | | 1.1 | | | | V |
| Maximum DC reverse current at rated TA =25°C DC blocking voltage per element TA =125°C | IR | | | | | 5.0 500 | | | | μA |

Notes: (1) Device mounted on 75mm x 75mm x 1.6mm Cu Plate Heatsink.
 (2) Thermal resistance from Junction to Ambient on P.C.board mounting.

CURRENT 6.0 Ampere
 VOLTAGE RANG 50 to 1000 Volts

GBU6005 THRU GBU610

Rating and Characteristic Curves ($T_A=25^{\circ}\text{C}$ Unless otherwise noted)

Fig. 1 Derating Curve for Output Rectified Current

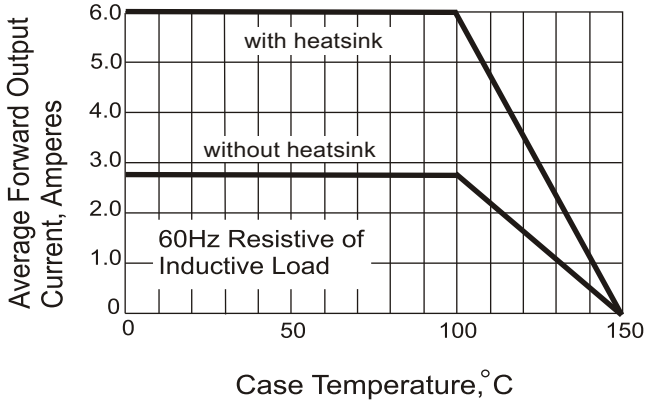


Fig. 2 Maximum Non-repetitive Peak Forward Surge Current

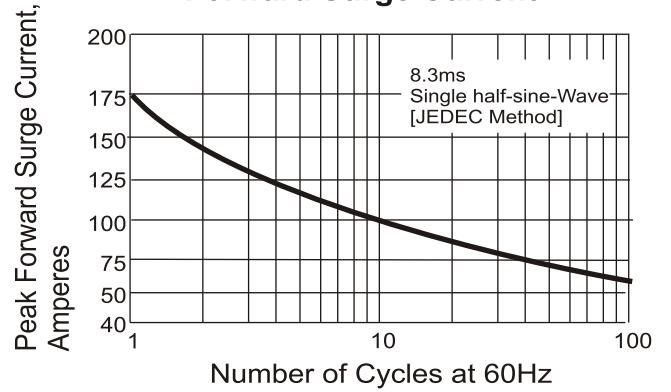


Fig. 3 Typical Instantaneous Forward Characteristics

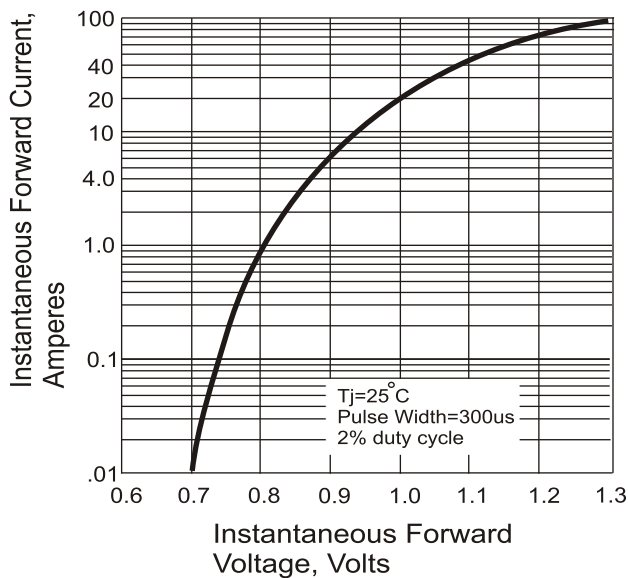


Fig. 4 Typical Reverse Characteristics

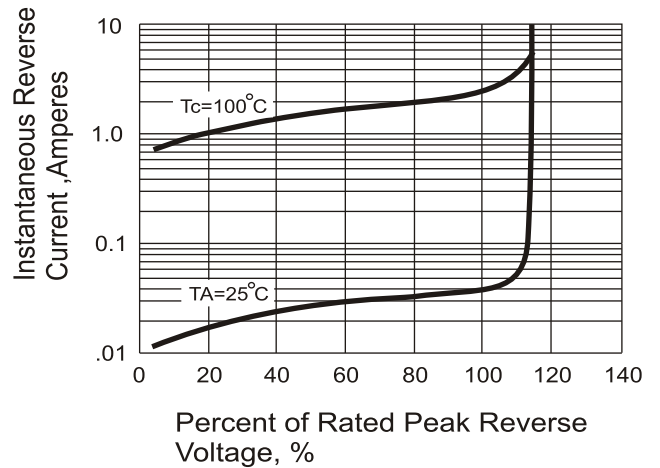


Fig. 5 Typical Junction Capacitance

